

## WEJ885 WCS PWash&TDos&Steam

W1 front-loader washing machine:

A -20 %\* | 9 kg | 1600 rpm | Auto. dispensing | QuickPowerWash | Virus hygiene



EAN: 4002516881858 / Material number: 12774970 / Old Material Number: 11EJ8855GB

<b>Model</b>	
Front-loader	•
<b>Spinning</b>	
Max. spin speed	1600
<b>Design</b>	
Appliance colour	Lotus white
Control panel colour	Lotus white
<b>Gentle laundry care</b>	
Honeycomb drum	•
Load in kg	9.0
<b>Efficiency and sustainability</b>	
Acoustic airborne noise emission class (spin cycle)	A
Sound emissions during spin cycle in dB(A) re 1 pW	68
Power rating in off mode in W	0.40
Power rating in networked standby in W	0.80
ProfiEco motor	•
<b>Technical data</b>	
Dimensions in mm (width)	596
Dimensions in mm (height)	850
Dimensions in mm (depth)	636
Appliance depth in mm with opened door	1054
Appliance depth excluding door (for building-under) in mm	600
Weight in kg	95
Total rated load in kW	2.10-2.40
Voltage in V	220-240
Fuse rating in A	13
Frequency in Hz	50
Length of water inlet hose in m	1.60
Length of water drain hose in m	1.50
Length of supply lead in m	2
Replacing lamps	Service

### Available display languages

Available display languages through MultiLingua

deutsch, english (GB),  
français (FR), hrvatski,  
italiano, magyar,  
nederlands, polski, română,  
slovenščina, srpski, türkçe,  
ελληνικά

- Tested for 20 years of perfect laundry care\*
- Save even more energy with A -20 %\*\*
- Precise and automatic detergent dispensing with TwinDos®\*\*\*
- QuickPowerWash ensures fast, efficient results in just 49 minutes\*\*\*\*
- Virus hygiene eliminates 99.9 %\*\*\*\*\*
- of potential viruses from your laundry

\* During the development phase of the W1 washing machine series, Miele tested models and core components in 5000 wash loads (= 5 wash loads per week for 50 weeks per year) in various programmes. More: [miele.com/20years](https://miele.com/20years)

\*\* 20 % more economical than the threshold value (52) for energy efficiency class A.

\*\*\* Patent EP 2 784 205

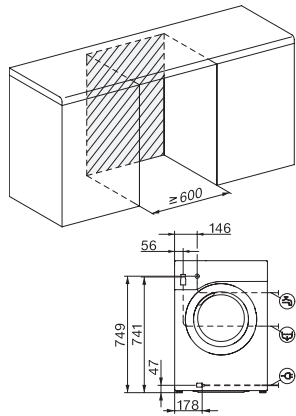
\*\*\*\* This applies to all Miele washing machines that enable the process and machine-related parameters presented in the summary of the WL 1110/18 test report to be implemented.

\*\*\*\*\* Tested by Albstadt-Sigmaringen University and awarded the gold label by the Institute for Integrative Hygiene and Virology (InFluenc\_H). Applies to all models with TwinDos® and PowerWash in the Cottons hygiene 60 °C programme with the AllergoWash option. A description of the relevant methodology can be found at the following link: <https://www.miele.com/wa-c>

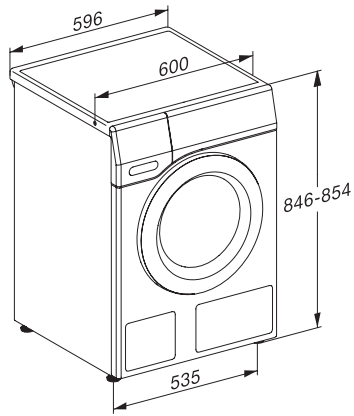
WEJ885 WCS PWash&TDos&Steam

W1 front-loader washing machine:

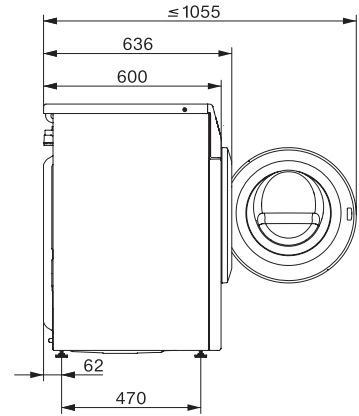
A -20 %\* | 9 kg | 1600 rpm | Auto. dispensing | QuickPowerWash | Virus hygiene



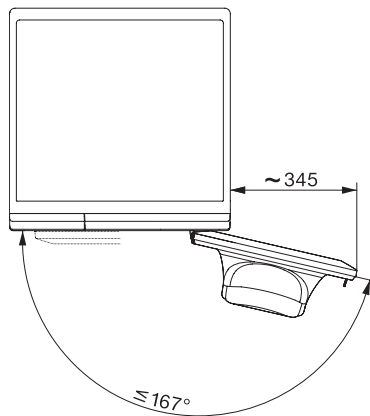
W1 installation drawing, slanted fascia or straight fascia, measures in mm



W1 drawing, slanted fascia or straight fascia, measures in mm



W1 drawing, slanted fascia or straight fascia, measures in mm



W1 drawing, slanted fascia or straight fascia, measures in mm